



TAI-SAW TECHNOLOGY CO., LTD.

No. 3, Industrial 2nd Rd., Ping-Chen Industrial District,
Taoyuan, 324, Taiwan, R.O.C.

TEL: 886-3-4690038 FAX: 886-3-4697532

E-mail: tstsales@mail.taisaw.com Web: www.taisaw.com

Approval Sheet For Product Specification

Issued Date:

Product Name: IF SAW Filter 140 MHz (SMD 13.3mmX6.5mm)

TST Parts No.:TB0440A

Customer Parts No.:_____

Company: _____
Division: _____
Approved by : _____
Date: _____

Checked by: _____ Andy Lee

Approval by: _____ Francis Chen

Date: _____ 2007/01/05



TAI-SAW TECHNOLOGY CO., LTD.

No. 3, Industrial 2nd Rd., Ping-Chen Industrial District,
Taoyuan, 324, Taiwan, R.O.C.

TEL: 886-3-4690038 FAX: 886-3-4697532

E-mail: tstsales@mail.taisaw.com Web: www.taisaw.com

IF SAW Filter 140 MHz SMD 13.3mmX6.5mm

MODEL NO.: TB0440A

Rev. No. 1

A. MAXIMUM RATING:

1. Operating Temperature: -5 °C ~ +85 °C
2. Storage Temperature: -55 °C ~ +80 °C
3. Input Power Level: 10dBm

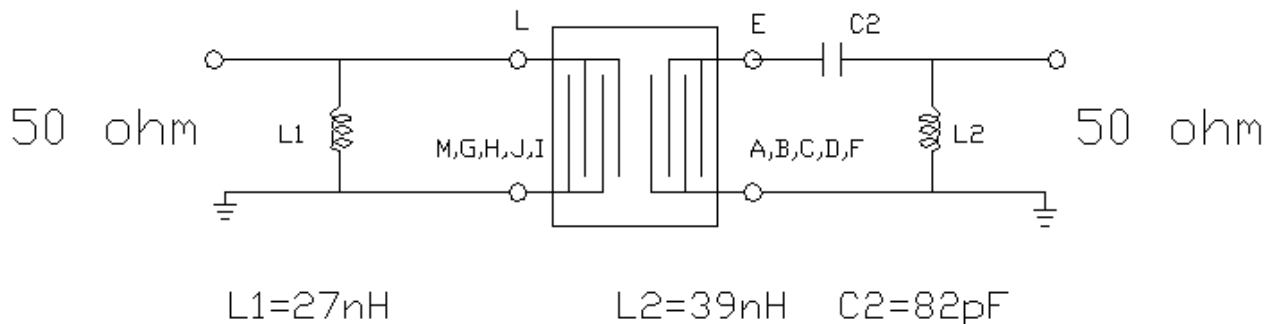
RoHS Compliant
Lead free
Lead-free soldering

B. Characteristics :

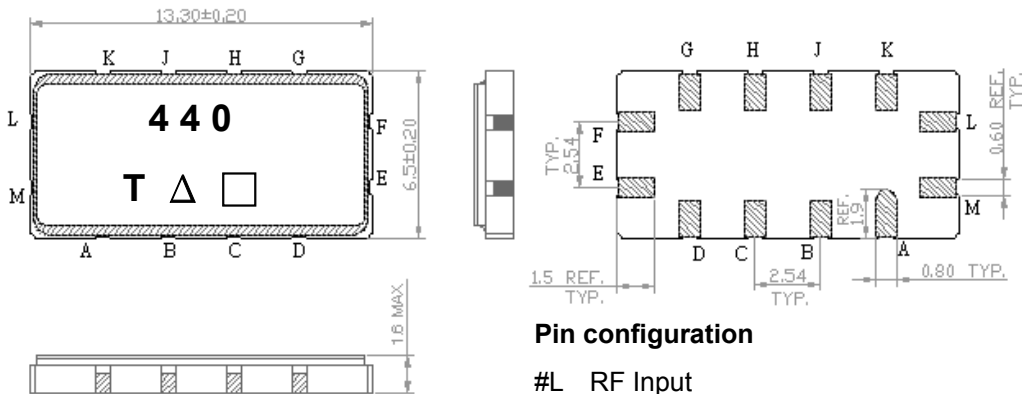
1. Ambient Temperature: 25 °

Characteristics	Value			Note.
	Min.	Typ.	Max.	
Center frequency F_c MHz	-	140.0	-	-
Maximum Insertion loss I.L. dB	-	9.6	11.0	-
1dB Bandwidth MHz	18.0	23.0	-	-
3dB Bandwidth MHz	22.0	25.0	-	-
40dB Bandwidth MHz	-	33.0	60.0	-
Passband Ripple ($F_c \pm 9\text{MHz}$) MHz	-	0.7	1.0	-
Group Delay Ripple ($F_c \pm 9\text{MHz}$) nS	-	80	180	-
Temp Coefficient ppm/°C	-	-94	-	-

C. TEST FIXTURE :



C.OUTLINE DRAWING:



Pin configuration

#L RF Input

#M RF Input ground

#E RF Output

#F RF Output ground

#A,B,C,D,G,H,J,K To be ground

□ : Week Code (Follow the table from planner each year)

Unit : mm

△ : Product / Year Code

Year	2005 2009	2006 2010	2007 2011	2008 2012
Product Code	B	b	<u>B</u>	<u>b</u>

D. Frequency Characteristics :

1. S21 Response

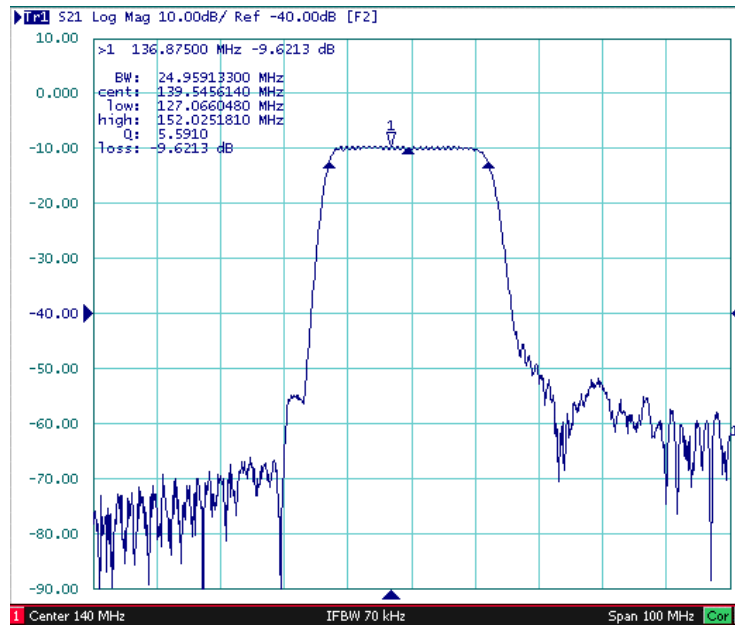


Fig1. Horizontal: 100MHz/Div Vertical: 10dB/Div

2. Pass band Ripple and Group Delay Ripple

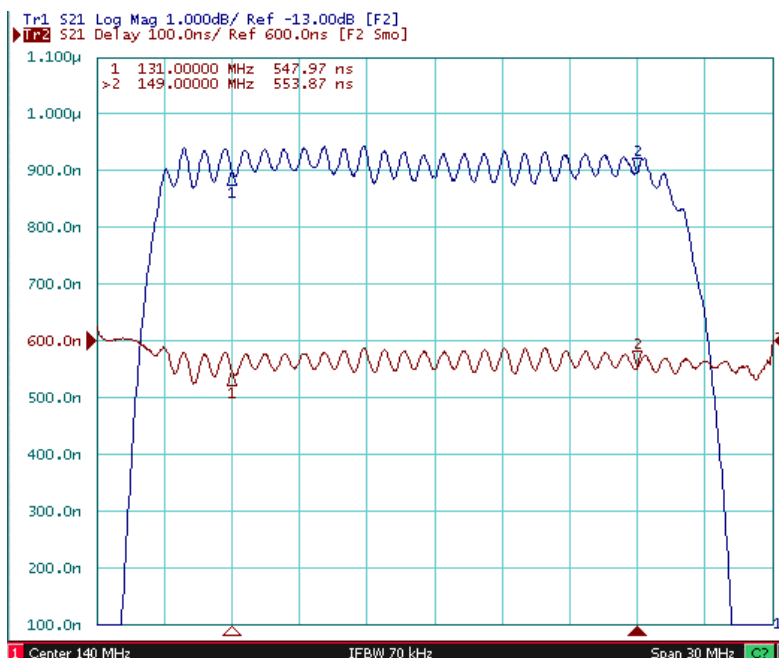
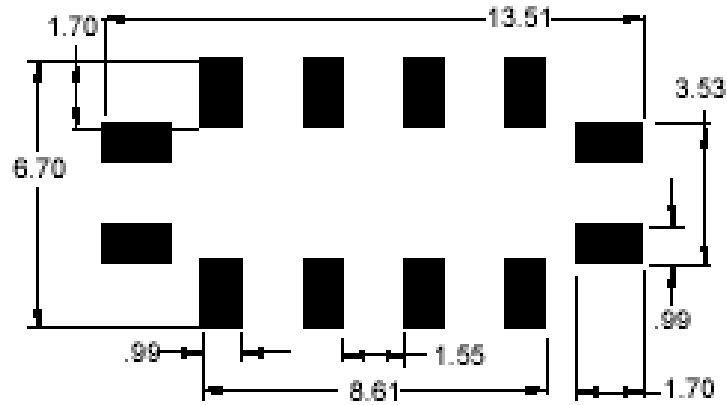


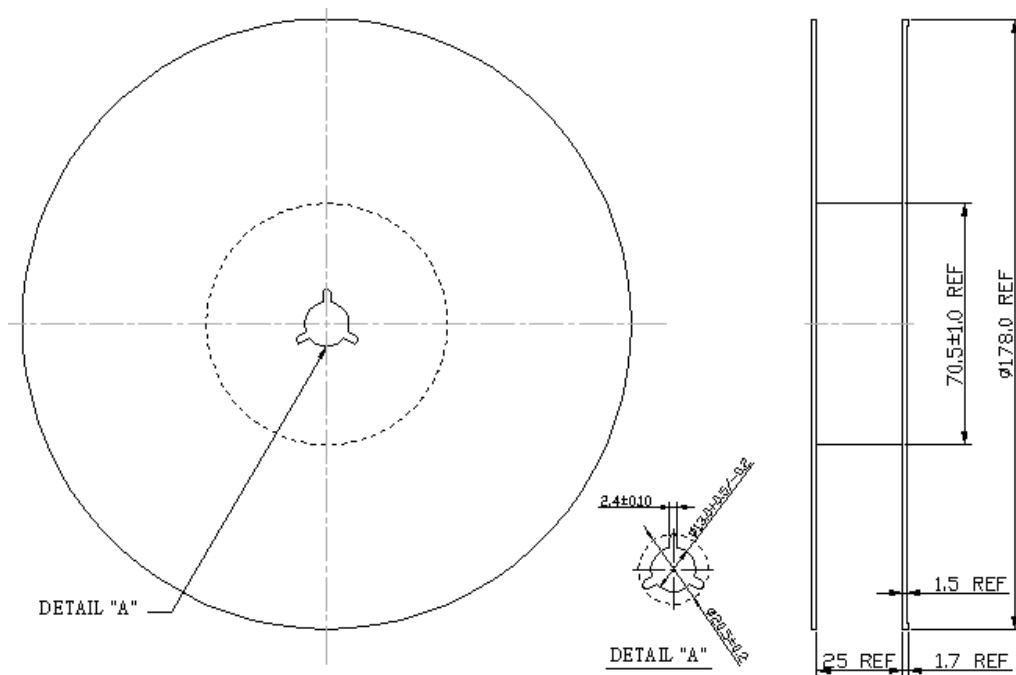
Fig2. Horizontal: 3MHz/Div; Vertical: 1dB/Div,
Vertical: 100nS/Div,

F. PCB FOOTPRINT



G. PACKING:

1. REEL DIMENSION



2. TAPE DIMENSION

